



Used Elliott ECL-30 Hi-Reach Aerial Work Platform & Crane

35 ft. Working Height

6,000 lb. Maximum Crane Lift Capacity

21 ft. Working Side Reach

Full Hydraulic Boom and Outrigger Movement

24" x 40" Work Platform, 800 lb. Capacity

Hydraulic Platform Rotation

Hydraulic Tool Outlets at Platform

110 volt wiring to Platform

Hydraulic Jib & Winch in Platform

16' L x 96" W Steel Bed with Drop Down Sides

Controls in Above Bed Lockable Tool Box

Repainted White

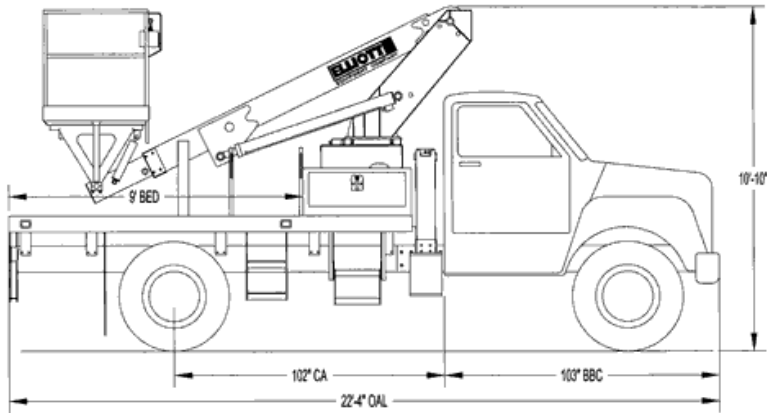
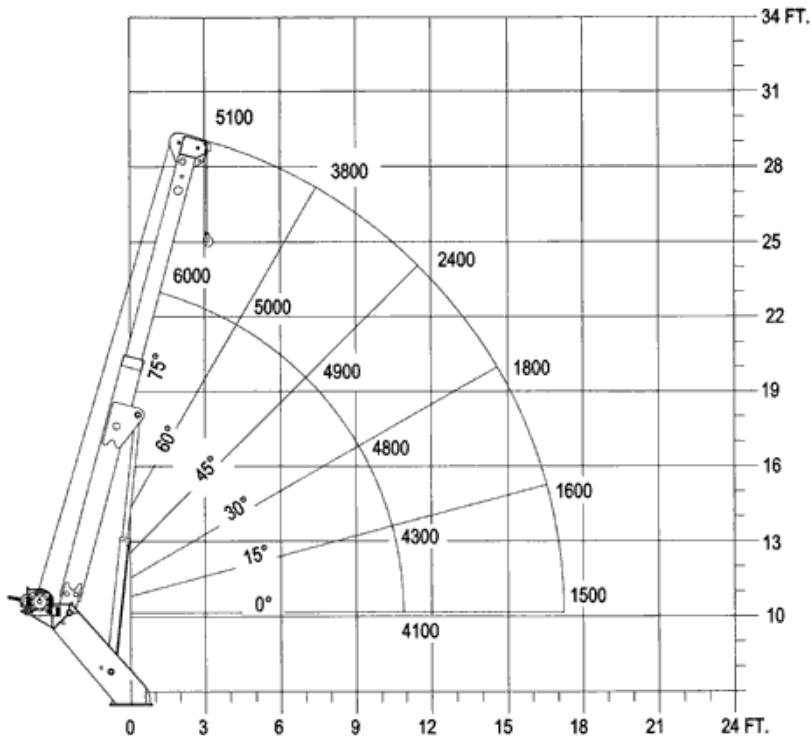
Installed: \$20,000.00 on your chassis

Chassis needs to be 25,500 lbs. GVWR with 102" Cab to Axle

North American Equipment Upfitters, Inc



Load Chart



Dimensions approximate and vary with truck specifications

G.V.W.R.-25,500 lbs. • Front axle-8,000 lbs. • Rear axle-17,500 lbs.

North American Equipment Upfitters Inc
 P.O. Box 1017 Londonderry, NH 03053
 6 Sutton Circle Hooksett, NH 03106
 Phone 603-6924-6288 Fax: 603-624-6289